

GEAR PUMPS

Mounts: SAE “AA”, “A”, and “B”

Ports: SAE with aluminum bodies

Cast iron mounts and end caps

3,500 psi continuous range

Single and double pumps



“AA” Flange Single Gear Pump



Ordering Code:

GP	1	A	G	2	U	27	R
Style	Series	Type	Flange	Shaft	Ports	Displacement	Rotation
CHARTS:			I	II	III	III	IV

I - Flange

Code G: “SAE – AA” 2 Bolt

Code K: “4F-17” 4 Bolt

IV - Rotation

R	L
CW	CWW

Dimensions

II – Shafts for “AA” Pumps

Code 2 for “G” Flange

Code 3 for “G” Flange

Code 7 for “G” Flange

Code 1 for “K” Flange

III - PERFORMANCE DATA										
Code	Displacement		Pressure (psi)		RPM	Dimensions for “G” flanges		KG.	LBS.	PORT “U” code
	cu in	cc	Cont.	Max.		A	L			
05	0.04	0.6	3,000	3,600	600 - 4,000	1.626	3.212	1.09	2.40	INLET UNF #8 3/4”-16
01	0.08	1.3	3,000	3,600		1.655	3.271	1.10	2.42	
02	0.12	2.0	3,000	3,600		1.694	3.350	1.14	2.51	
27	0.16	2.7	3,000	3,600		1.734	3.428	1.18	2.60	
35	0.21	3.4	3,000	3,600		1.773	3.507	1.21	2.66	OUTLET UNF #6 9/16”-18
04	0.25	4.1	3,000	3,600		1.813	3.586	1.25	2.75	
05	0.31	5.1	3,000	3,600		1.872	3.704	1.30	2.86	
06	0.37	6.1	3,000	3,600		1.931	3.822	1.35	2.97	
07	0.45	7.4	2,850	3,300	600 - 2,500	2.009	3.980	1.41	3.10	INLET UNF #10 7/8”-14
09	0.55	9.1	2,850	2,850		2.108	4.176	1.49	3.28	
11	0.67	11.0	2,300	2,550		2.226	4.412	1.58	3.48	OUTLET UNF#8 3/4”-16
13	0.82	13.5	2,300	2,550		2.364	4.688	1.69	3.72	

"A" Flange Single and Double Gear Pumps



Ordering Code:

GP	2	G	G	1		U	08			R
Style	Series	Type	Flange	Shaft	Inlet Ports	Ports	Disp.	Front Disp.	Back Disp.	Rotation
CHARTS:		I	II	III	IV	V	V	VI	VI	VII

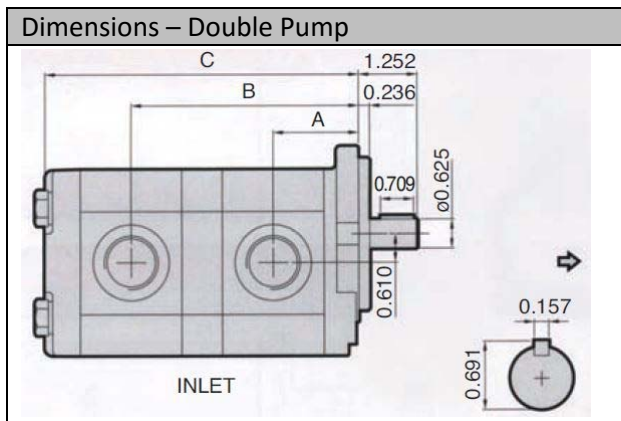
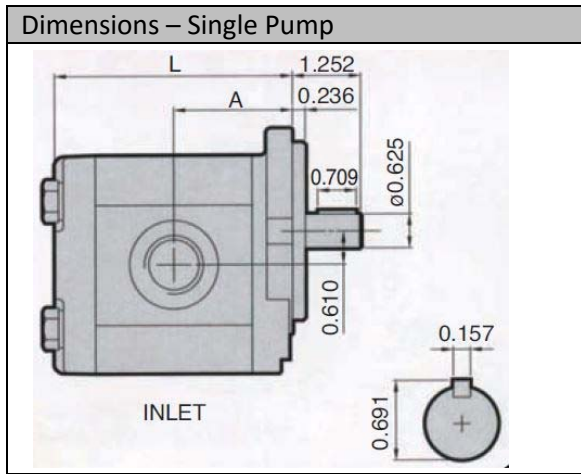
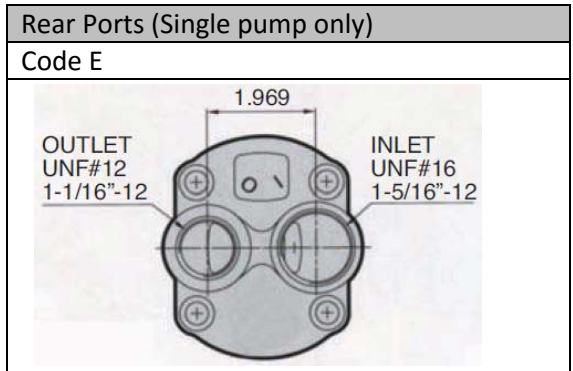
I - Type	
G	D
Single Pump	Double Pump

II - Flange	
Code G For single and double pumps	

IV - Inlet ports (Double pumps only)	
A	B
Common inlet	Separate Inlet

III - Shafts for "A" Pumps	
Code 1	
Code 2A	
Code 2	
Code 7	
Code 9	

“A” Single and Double Gear Pumps



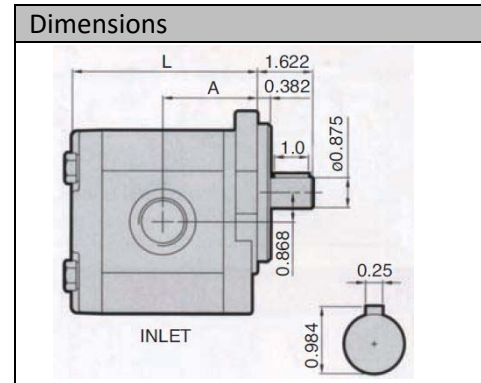
“A” Flange Single and Double Gear Pumps

V – PERFORMANCE DATA (Single pumps)										Ports	
Code	Displacement		Pressure (psi)		RPM	Dimensions		Weight		“U” code for Single and Double Pumps	
	cu in	cc	Cont.	Max.		A	L	Kg.	Lbs.		
04	0.24	4.0	3,500	4,200	600 to 4,000	1.658	3.433	3.23	7.11	INLET UNF #12 1-1/16”-12 OUTLET UNF #10 7/8”-10	
05	0.30	5.0	3,500	4,200		1.687	3.493	3.27	7.19		
06	0.38	6.2	3,500	4,200		1.717	3.552	3.32	7.30		
07	0.43	7.0	3,500	4,200		1.746	3.611	3.36	7.39		
08	0.52	8.4	3,500	4,200		1.796	3.709	3.41	7.50		
09	0.58	9.5	3,500	4,200		1.825	3.768	3.45	7.59		
11	0.69	11.3	3,500	4,200		1.884	3.886	3.53	7.77		
14	0.85	14.0	3,500	4,200		1.963	4.044	3.64	8.01		
16	0.98	16.0	3,500	4,200		2.002	4.162	3.74	8.23		
18	1.10	18.0	3,500	4,200		2.081	4.280	3.80	8.36		
20	1.20	19.5	3,300	3,800		2.160	4.437	3.89	8.56		
22	1.31	21.5	3,000	3,500		2.180	4.447	3.96	8.71		
24	1.44	23.5	2,550	3,100		2.258	4.634	4.01	8.82		
26	1.53	25.0	2,500	3,100		600 to 2,500	2.317	4.752	4.10		9.02
28	1.71	28.0	2,300	2,700	2.396		4.910	4.19	9.22		
30	1.84	30.0	2,100	2,550	2.475		5.067	4.30	9.46		
33	2.02	33.0	2,000	2,300	2.554		5.225	4.41	9.70		

VI - PERFORMANCE DATA (Double pumps)															
Code	Displacement		PSI	RPM	Dimensions			Code	Displacement		PSI	RPM	Dimensions		
	cu in	cu in			A	B	C		cu in	Cu in			A	B	C
0505	0.30	0.30	3,000	3,500	1.687	4.447	61.42	1614	0.98	0.85	3,000	3,500	2.022	5.392	7.362
0705	0.43	0.30	3,000	3,500	1.746	4.565	6.260	1616	0.98	0.98	3,000	3,500	2.022	5.490	7.481
0707	0.43	0.43	3,000	3,500	1.746	4.624	6.378	1807	1.10	0.43	2,500	2,500	2.081	5.293	7.048
0905	0.58	0.30	3,000	3,500	1.825	4.723	6.418	1809	1.10	0.58	2,500	2,500	2.081	5.372	7.205
0907	0.58	0.43	3,000	3,500	1.825	4.782	6.536	1811	1.10	0.69	2,500	2,500	2.081	5.431	7.323
0909	0.58	0.58	3,000	3,500	1.825	4.860	6.693	1814	1.10	0.85	2,500	2,500	2.081	5.510	7.481
1107	0.69	0.43	3,000	3,500	1.884	4.900	6.654	1816	1.10	0.98	2,500	2,500	2.081	5.608	7.599
1109	0.69	0.58	3,000	3,500	1.884	4.978	6.811	1818	1.10	1.10	2,500	2,500	2.081	5.628	7.717
1111	0.69	0.69	3,000	3,500	1.884	5.037	6.629	2207	1.31	0.43	2,500	2,500	2.180	5.490	7.244
1407	0.85	0.43	3,000	3,500	1.963	5.057	6.811	2209	1.31	0.53	2,500	2,500	2.180	5.569	7.402
1409	0.85	0.58	3,000	3,500	1.963	5.136	6.969	2211	1.31	0.69	2,500	2,500	2.180	5.628	7.520
1411	0.85	0.69	3,000	3,500	1.963	5.195	7.087	2214	1.31	0.85	2,500	2,500	2.180	5.707	7.677
1414	0.85	0.85	3,000	3,500	1.963	5.274	7.244	2216	1.31	0.98	2,500	2,500	2.180	5.805	7.769
1607	0.98	0.43	3,000	3,500	2.022	5.175	6.929	2218	1.31	1.10	2,500	2,500	2.180	5.825	7.914
1609	0.98	0.58	3,000	3,500	2.022	5.254	7.087	2222	1.31	1.31	2,500	2,500	2.180	5.923	8.111
1611	0.98	0.69	3,000	3,500	2.022	5.313	7.205								

VII - Rotation	
R	L
CW	CWW

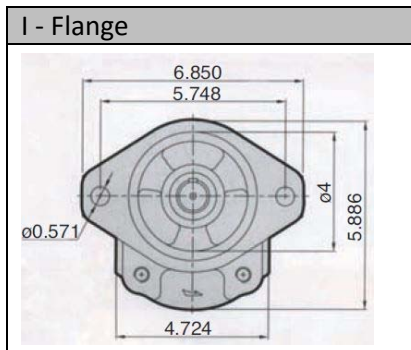
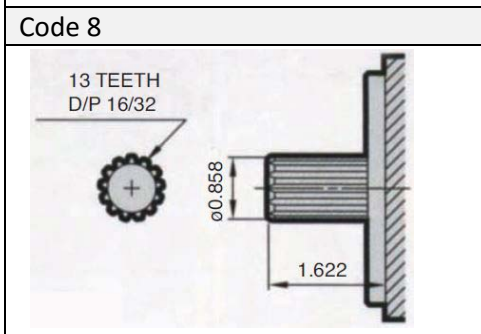
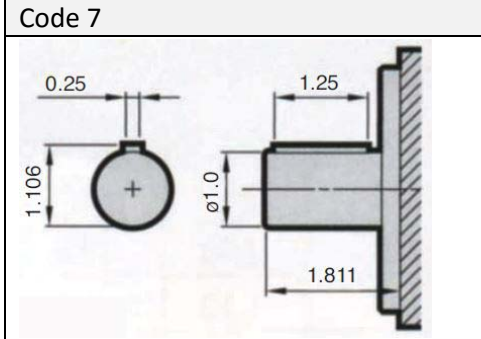
"B" Flange Single Gear Pumps



Ordering code:

GP	3	G	B	6	U1	27	R
Style	Series	Type	Flange	Shaft	Ports	Displacement	Rotation
CHARTS:			I	II	III	III	IV

II - Shaft



IV - Rotation

R	L
CW	CWW

III - PERFORMANCE DATA										PORTS	
Code	Displacement		Pressure (psi)		RPM	Dimensions		Weight		INLET	OUTLET
	cu in	cc	Cont.	Max.		A	L	Kg.	Lbs.		
23	1.40	23.0	3,500	3,800	3,000	2.579	5.039	8.6	18.9	U1 UNF#16 1-5/16"-12	UNF#12 1-1/16"-12
25	1.52	25.0	3,500	3,800	3,000	2.618	5.118	8.7	19.1		
28	1.70	28.0	3,500	3,800	3,000	2.657	5.197	8.9	19.6		
33	2.01	33.0	3,500	3,800	3,000	2.736	5.354	9.1	20.0		
38	2.31	38.0	3,500	3,800	3,000	2.815	5.512	9.3	20.5	U2 UNF#20 1-5/8"-12	
44	2.68	44.0	3,100	3,400	2,500	2.894	5.669	9.5	20.9		
52	3.17	52.0	2,800	3,100	2,500	2.992	5.866	9.8	21.6		
60	3.66	60.0	2,550	2,800	2,500	3.110	6.102	10.0	22.0	U3 UNF#24 1-7/8"-12	UNF#16 1-5/16"-12
70	4.27	70.0	2,300	2,550	2,500	3.248	6.378	10.4	22.9		
80	4.88	80.0	2,100	2,400	2,300	3.346	6.575	10.7	23.5		
90	5.49	90.0	2,000	2,300	2,000	3.465	6.811	11.1	24.4		